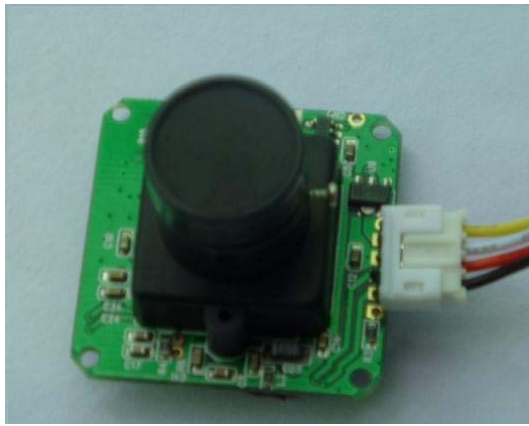


JPEG Serial Camera Module

0706 Protocol



LCF-23M 32mmx32mm



LCF-23MB 38mmx38mm

Contact information:

Email: felix@cn-lcf.com amos@cn-lcf.com ailsa@cn-lcf.com

MSN: felixlcf@hotmail.com amoslcf@hotmail.com ailsalcf@hotmail.com

SKYPE: amoslcf

1.General Description:

The Serial Camera Module is a highly integrated serial camera board that can be attached to a wireless or PDA host performing as a video camera or a JPEG compressed camera. It provides a serial interface (TTL/RS232/RS485) and JPEG compression engine to act as a low cost and low powered camera module for high-resolution serial bus security system with GPRS/GSM modules or PDA accessory applications.

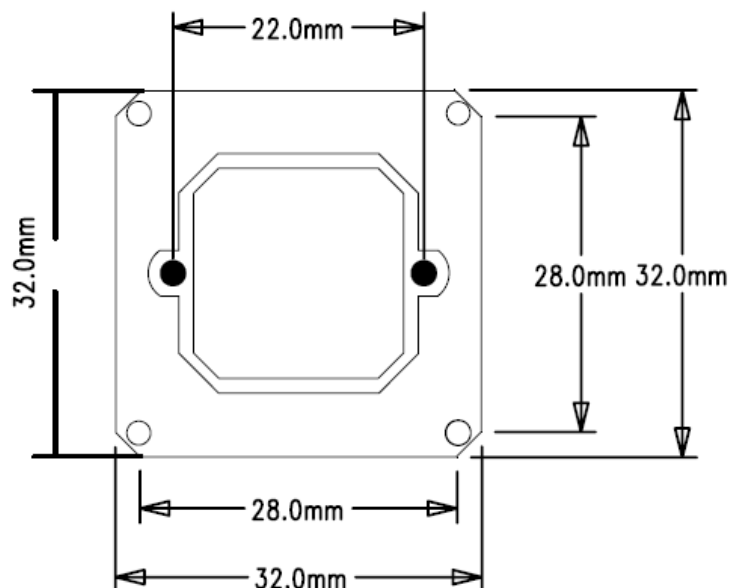
2.Features:

- A. Size:32*32MM for LCF-23M 38*38MM for LCF-23MB,
- B. RS232/RS485 is DC5V power TTL is 3.3V power
- C. Support capture JPEG from serial port
- D. Default baud rate of serial port is 38400,if we need other baud rate, we can amend it by ourself.
- E. Built-in JPEG CODEC for different resolutions.
- F. Built-in down sampling, clamping and windowing circuits for VGA, QVGA, 160x120 image resolutions.
- H. Current consumption: 80-100mA

3.Application

- A. Different image capture systems
- B. Environmental monitoring
- C. Industry monitoring
- D. Medical equipment
- E. Video phone
- F. Security
- G. Vehicle based GPS

4.Footprint



5. Interface definition



1	2	3	4
RXD(IN)	TXD(OUT)	GND	+5V/3.3V



1	2	3	4	5	6
Video	GND	TXD	RXD	GND	5V

Name	Descriptions
+5V/+3.3V	Power
GND	Ground
TXD (OUT)	RS232 level connected to MCU or PC RXD
RXD (IN)	RS232 level connected to MCU or PC TXD

6. Communication Protocol

1. Reset

Command (HEX)	Return (HEX)
56 00 26 00	76 00 26 00

2. Take picture

Command (HEX)	Return (HEX)
56 00 36 01 00	76 00 36 00 00

3. Read JPEG file size

Command (HEX)	Return (HEX)
56 00 34 01 00	76 00 34 00 04 00 00 XH XL

XH XL is the file length of JPEG file, MSB is in the front, and followed by LSB.

4. Read JPEG file content

JPEG file starts with FF D8 and ends with FF D9.

To read the JPEG file, always starts with address 00 00, and choose a chunk size that are an integer times of 8, and read the chunk many times until reads FF D9 which indicates the end of the JPEG file.

Command(HEX)
56 00 32 0C 00 0A 00 00 MH ML 00 00 KH KL XX XX

Return (HEX)
76 00 32 00 00 (Interval time) FF D8 ◦ ◦ ◦ ◦ ◦ ◦ (Interval time) 76 00 32 00 00
(Interval time) = XX XX*0.01mS XX XX are recommended to be 00 0A
00 00 MH ML: Starting address
00 00 KH KL: Length of JPEG file
MSB first, and LSB last

5. Stop taking pictures

Command (HEX)	Return (HEX)
56 00 36 01 03	76 00 36 00 00

6. Compression Ratio

Command (HEX)	Return (HEX)
56 0 31 05 01 01 12 04 XX	76 00 31 00 00 XX (XX normally is 36)

XX: 0X00 to 0XFF

7. Image size

Command (HEX)	Return (HEX)
56 00 31 05 04 01 00 19 11 (320*240)	76 00 31 00 00
56 00 31 05 04 01 00 19 00 (640*480)	76 00 31 00 00

After changing the image size, it is needed to reset or power cycle.

8. Power Saving

Entering Power Saving Command (HEX)	Return (HEX)
56 00 3E 03 00 01 01	76 00 3E 00 00

Exiting Power Saving Command (HEX)	Return (HEX)
56 00 3E 03 00 01 00	76 0 3E 00 00

9. Chang baud rate

Command (HEX)	Return (HEX)
56 00 24 03 01 XX XX	76 00 24 00 00
XX XX	Data Rate
AE C8	9600
56 E4	19200
2A F2	38400
1C 4C	57600
0D A6	115200

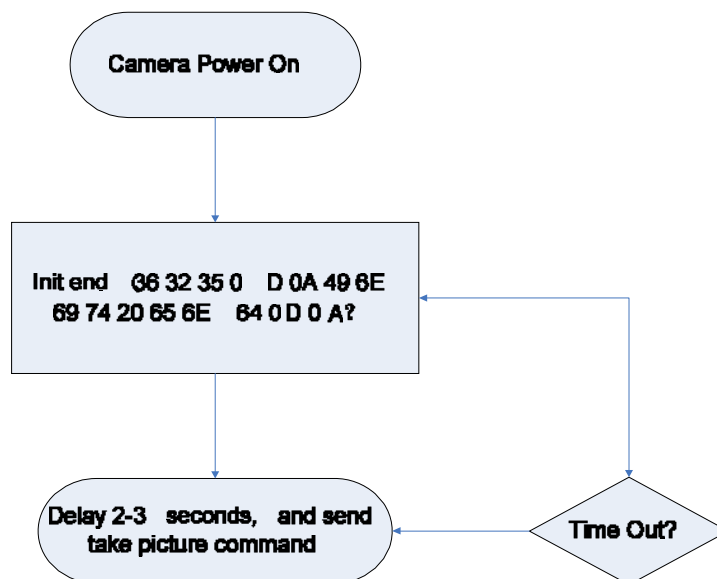
Notes:

1. The starting read address must be integer times of 8.
2. When multiple cameras are used, XX of 56 XX 36 01 00 is the device ID.
3. The UART is RS232 level. If want to connected to MCU, please add a level shifter or remove MAX232IC. RS232 level is used in the module as the communication distance of raw UART cannot be longer than 1 meter.
4. When powered on, serial port will output the following message actively:
Ctrl infr exist
User-defined sensor
625
Init end

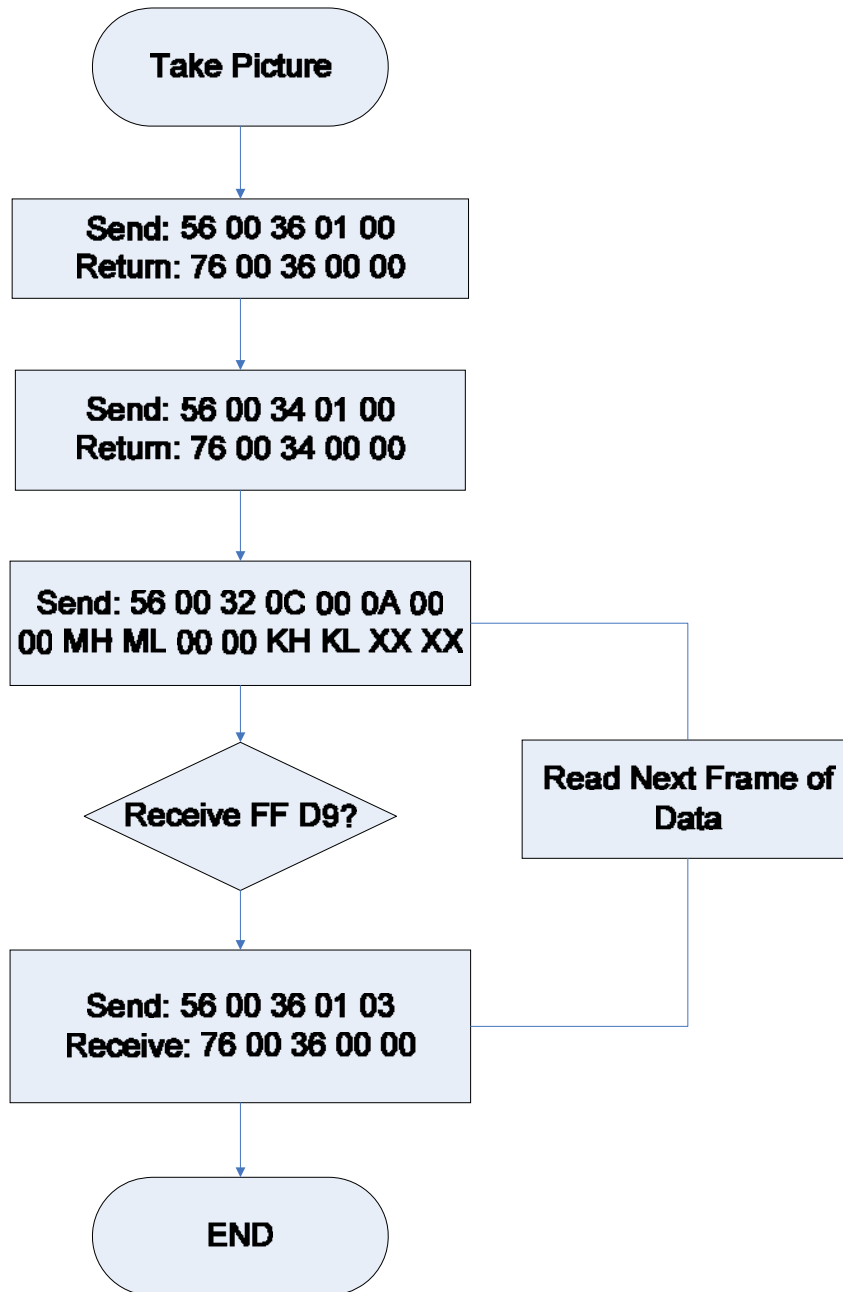
The host only needs to determine when "Init end" (36 32 35 0D 0A 49 6E 69 74 20 65 6E 64 0D 0A) is received. After "Init end" is received, the host can send the take picture command after waiting for another 2-3 seconds.

7. Program flow chart

A. Initialization:



B. Capture a JPEG picture:



8.Photo Taken from Serial Camera/ Module

A. At Day



B. At Night or Dark Environment

